

Single Actuator

ilcoDrive LZ

Fields of application

Ilcon's most powerful and advanced actuator yet. With it's slim design, 165 mm minimum installation dimension and IP66 water resistance it could be good solution for health- and homecare, agriculture or industrial applications. Gear side clevis could be rotated with 45°, could be loaded with 8 kN, 6 mm/s speed with maximum load and three independent breaking solutions for safety. Compatible with ilcoPower ICS3 system for most advanced and customizable applications where synchronous drive or speed control needed.

ilcon
LINEAR ACTUATOR CONCEPTS

Standard model

- Up to 8000N Push
- Up to 3000N Pull
- Build in limit switches
- Reinforced polymer housing
- Optional MNA
- Optional Only push option

Recommended control system modules

- ilcoPower ICS3 Control system
- IlcoEnergy Battery Systems
- IlcoPower Control Units
- ilcoControl handset (Various options)



Product details					
Parameter	Comment	Min	Typical	Max	Unit
Supply voltage			24	32	V
Power consumption	under nominal load 8000N		4,5A	9	A
Type of protection			III		
Protection class			IP X4	IP 66	
Force	Push			8000	N
Stroke length	Various options			600	mm
Connection options			2-PIN LS Plug,	Molex 8P	
Speed	without load		8,5	12,5	mm / s
	Nominal load 8000N		6,0	6,5	mm / s
	Nominal load 6000 N		7,4	7,4	mm / s
Color			Light Grey		
Duty cycle	Max 2 minutes continuous operation followed by 18 min. stop		10		%
Storage temperature	non-condensing	0		+40	° C
Ambient temperature	non-condensing	+5		+40	° C
Housing material			Polyamid V0		
Approvals			CE,		

ilcon GmbH

Linear Actuator Concepts
Hertzstr. 1-3
27318 Hoya
Germany

Phone +49 4251 816610-10
www.ilcon.com
info@ilcon.com

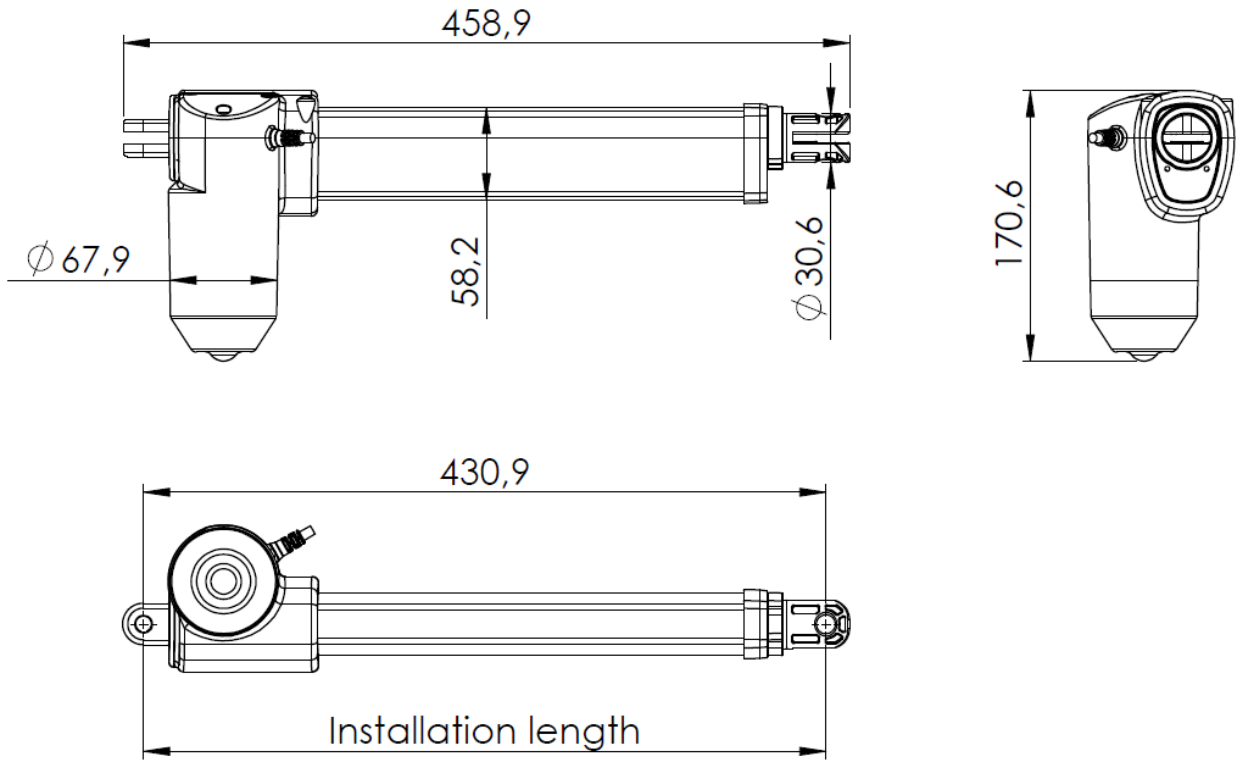
ilcon Actuator Corp.

Linear Actuator Concepts
11511 James Street
Holland, MI 49424
USA

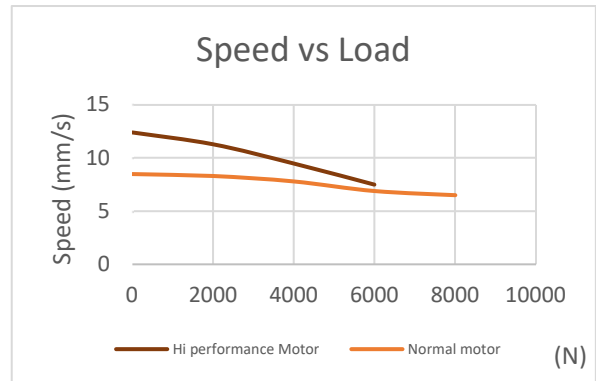
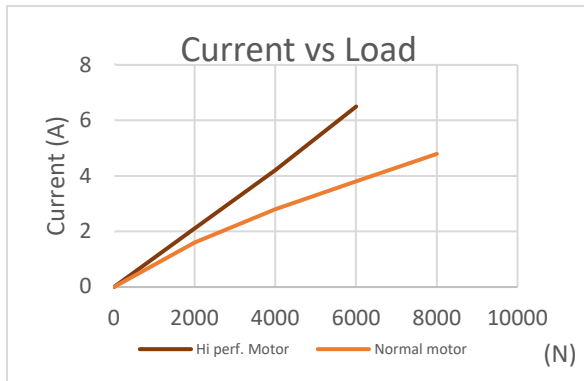
Phone (616) 796-3235
www.ilcon.com
info@ilcon.com

For more detailed data sheets, please contact our Sales Department. We would be pleased to provide a documentation according to your product specifications. Mistakes and printing errors excepted. If you have any questions, please do not hesitate to contact us.
Dated: 06/2017

Dimensional drawing



Performance



Order key

①	②	③	④	⑤	⑥
XX-	XX	XX	XX	XX	X
LZ-	GR-	280-	450-	24-	A -

(Example is preferred type)

①	Type of drive	LZ = ilcoDrive LZ
②	Color of housing	GR = grey RAL 7035
③	Installation dimension in mm	min. 280mm (+/- 2mm)
④	Stroke in mm	max. 450mm
⑤	Motor Voltage	18/24
⑥	Push/pull	A = push-pull B = only push

ilcon GmbH

Linear Actuator Concepts
Hertzstr. 1-3
27318 Hoya
Germany

Phone +49 4251 816610-10
www.ilcon.com
info@ilcon.com

ilcon Actuator Corp.

Linear Actuator Concepts
11511 James Street
Holland, MI 49424
USA

Phone (616) 796-3235
www.ilcon.com
info@ilcon.com

For more detailed data sheets, please contact our Sales Department. We would be pleased to provide a documentation according to your product specifications. Mistakes and printing errors excepted. If you have any questions, please do not hesitate to contact us.
Dated: 06/2017