

Single Actuator

# ilcoDrive OZG

## Fields of application

The powerful yet quiet rotation drive actuator solution for applications in hospital environments. As the product is certified to EN 60601-1:2017 it is the perfect solution for the health care market.

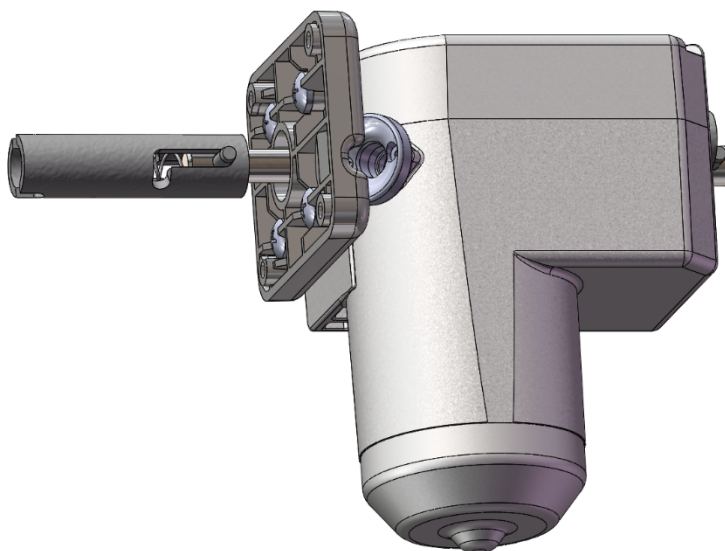


## Standard model

- Torque 7 Nm
- Reinforced polymer housing
- Optional Hall

## Recommended control system modules

- ilcoPower SMPS (Various options)
- ilcoControl Handset (Various options)



Product details					
Parameter	Comment	Min	Typical	Max	Unit
Supply voltage			2x 24	2x 35	V
Power consumption	under nominal load 200 IN-LBS		5A	7,5	A
Type of protection			III		
Protection class			IP X4	IP X6	
Torque	Rotation		5-6	7	Nm
Installation length			120		mm
Connection options			2-PIN LS Plug		
speed	without load		4,9		mm / s
speed	with nominal load 200 IN-LBS		3,5		mm / s
Color	Light grey, Black		Light Grey		
Duty cycle	Max 10%, 2 minutes continuous operation followed by 18 min. stop			5	cycles/min
Storage temperature	non-condensing	0		+40	° C
Ambient temperature	non-condensing	+5		+35	° C
Housing material					
Approvals			CE, UL, CUL		

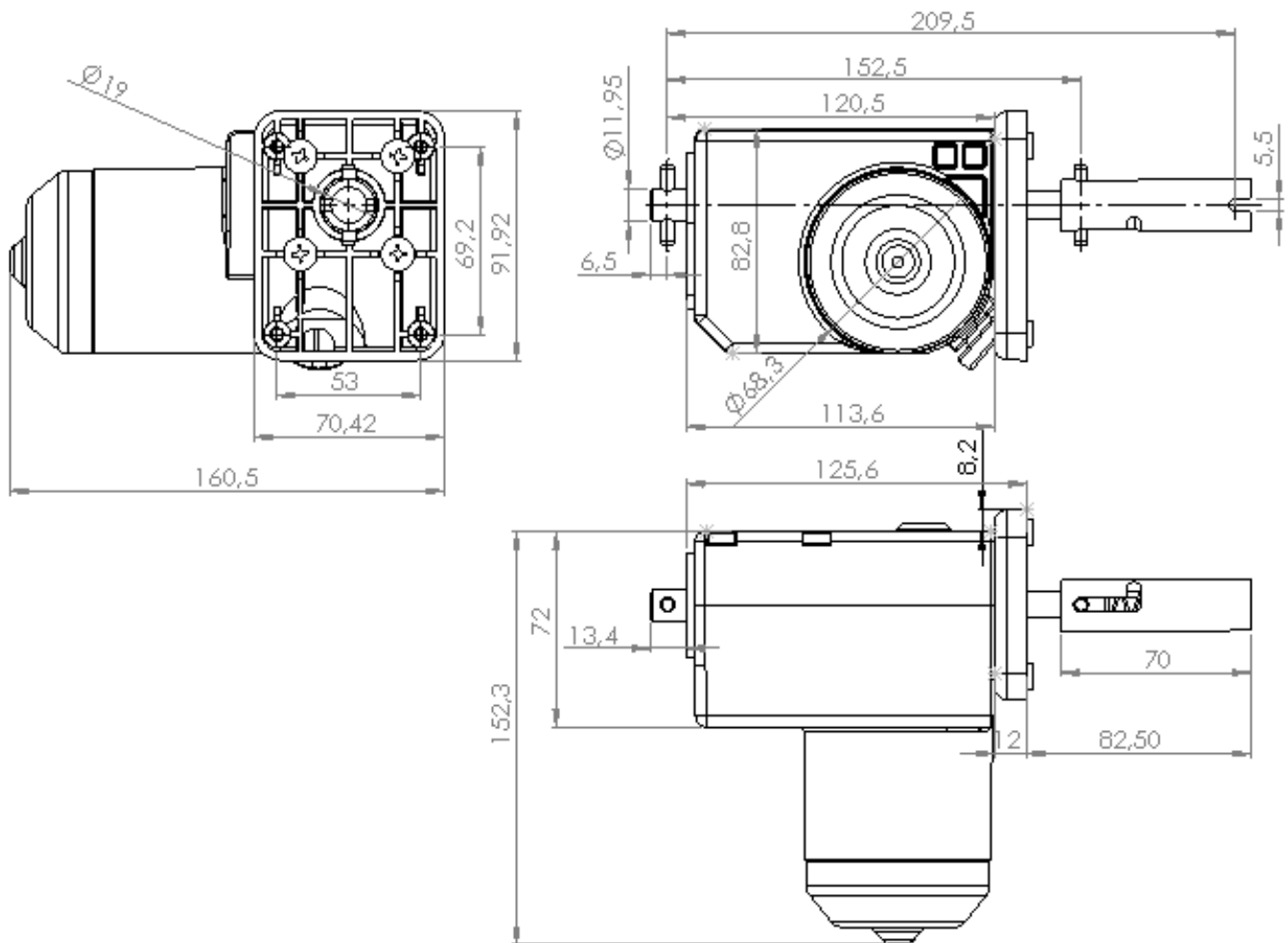
**ilcon GmbH**  
**Linear Actuator Concepts**  
Hertzstr. 1-3  
27318 Hoya  
Germany  
Phone +49 4251 816610-10  
www.ilcon.com  
info@ilcon.com

**ilcon Actuator Corp.**  
**Linear Actuator Concepts**  
11511 James Street  
Holland, MI 49424  
USA

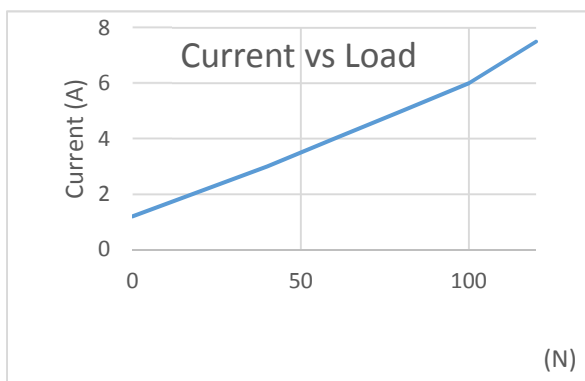
Phone (616) 796-3235  
www.ilcon.com  
info@ilcon.com

For more detailed data sheets, please contact our Sales Department. We would be pleased to provide a documentation according to your product specifications. Mistakes and printing errors excepted. If you have any questions, please do not hesitate to contact us.  
Dated: 06/2017

## Dimensional drawing



## Performance



## Order key

①	②	③	④	⑤	⑥
XX-	XX	XX	XX	XX	X
OZG-	GR-	120-	7-	18-	IPX -

(Example is preferred type)

①	Type of drive	OZG = ilcoDrive GZ
②	Color of housing	GR = grey RAL 7035 SW = black RAL 9005
③	Installation dimension in mm	120 mm (+/- 2mm)
④	Torque	max. 7 Nm
⑤	Motor Voltage	18/24
⑥	Protection class	IPX

### ilcon GmbH

**Linear Actuator Concepts**  
Hertzstr. 1-3  
27318 Hoya  
Germany

Phone +49 4251 816610-10  
www.ilcon.com  
info@ilcon.com

### ilcon Actuator Corp.

**Linear Actuator Concepts**  
11511 James Street  
Holland, MI 49424  
USA

Phone (616) 796-3235  
www.ilcon.com  
info@ilcon.com

For more detailed data sheets, please contact our Sales Department. We would be pleased to provide a documentation according to your product specifications. Mistakes and printing errors excepted. If you have any questions, please do not hesitate to contact us.  
*Dated: 06/2017*