

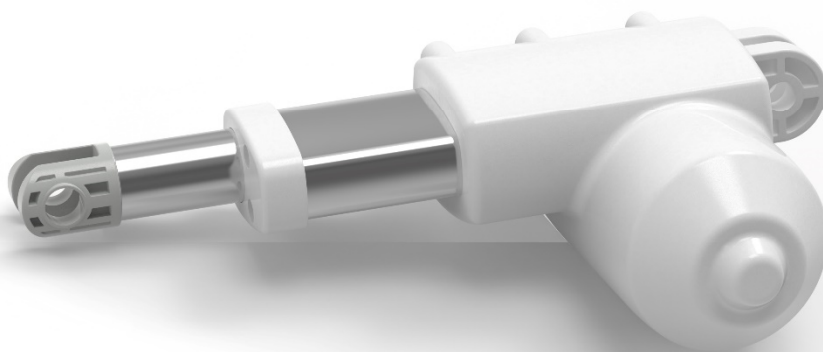
Single Actuator

ilcoDrive IZ

Fields of application

The reasonable option for homecare and long term care applications. As the product is certified to DIN EN 60601-1:2017 it is a great actuator for price sensitive markets with lower force requirements.

ilcon
LINEAR ACTUATOR CONCEPTS



Advantages

- Up to 3000N Push
- Up to 1500N Pull
- Build in limit switches
- Optional Only push option
- Optional Hall
- Anodized Aluminum pusher tube

Recommended control system modules

- ilcoPower SMPS (Various options)
- ilcoControl Handset (Various options)
- When connected to an ilcoPower control box the motor terminals of all ilcoDrive single actuators are short-circuited while not in use. In this manner, the actuator has an increased self-locking ability to prevent it from back driving under load. If the ilcoDrive is not connected to an ilcon control box the motor terminals must be shorted in order to provide this feature.

Product details

| Parameter | Comment | Min | Typical | Max | Unit |
|---------------------|---|-------|---------------|-------|--------|
| Supply voltage | | | 29 | 33 | V |
| Power consumption | under nominal load 3000N; 18V Motor | | 4 | 5,5 | A |
| Type of protection | | | III | | |
| Protection class | | IP 20 | IP 44 | IP X6 | |
| Force | Push | 500 | | 3000 | N |
| Force | Pull (optional only push) | 500 | | 1500 | N |
| Installation length | Various options | 153 | | | mm |
| Stroke length | Various options | | | 400 | mm |
| Connection | | | 2-PIN LS Plug | | |
| Speed | without load | | 10 | | mm / s |
| Speed | with nominal load 3000N | | 6,5 | 12 | mm / s |
| Color | Light grey | | Light Grey | | |
| Duty cycle | Max 2 minutes continuous operation followed by 12 min. stop | | 15 | | % |
| Storage temperature | non-condensing | 0 | | +40 | ° C |
| Ambient temperature | non-condensing | +5 | | +40 | ° C |
| Housing material | | | PA | | |
| Approvals | | | CE, UL, CUL | | |

ilcon GmbH

Linear Actuator Concepts
Hertzstr. 1-3
27318 Hoya
Germany

Phone +49 4251 816610-10
www.ilcon.com
info@ilcon.com

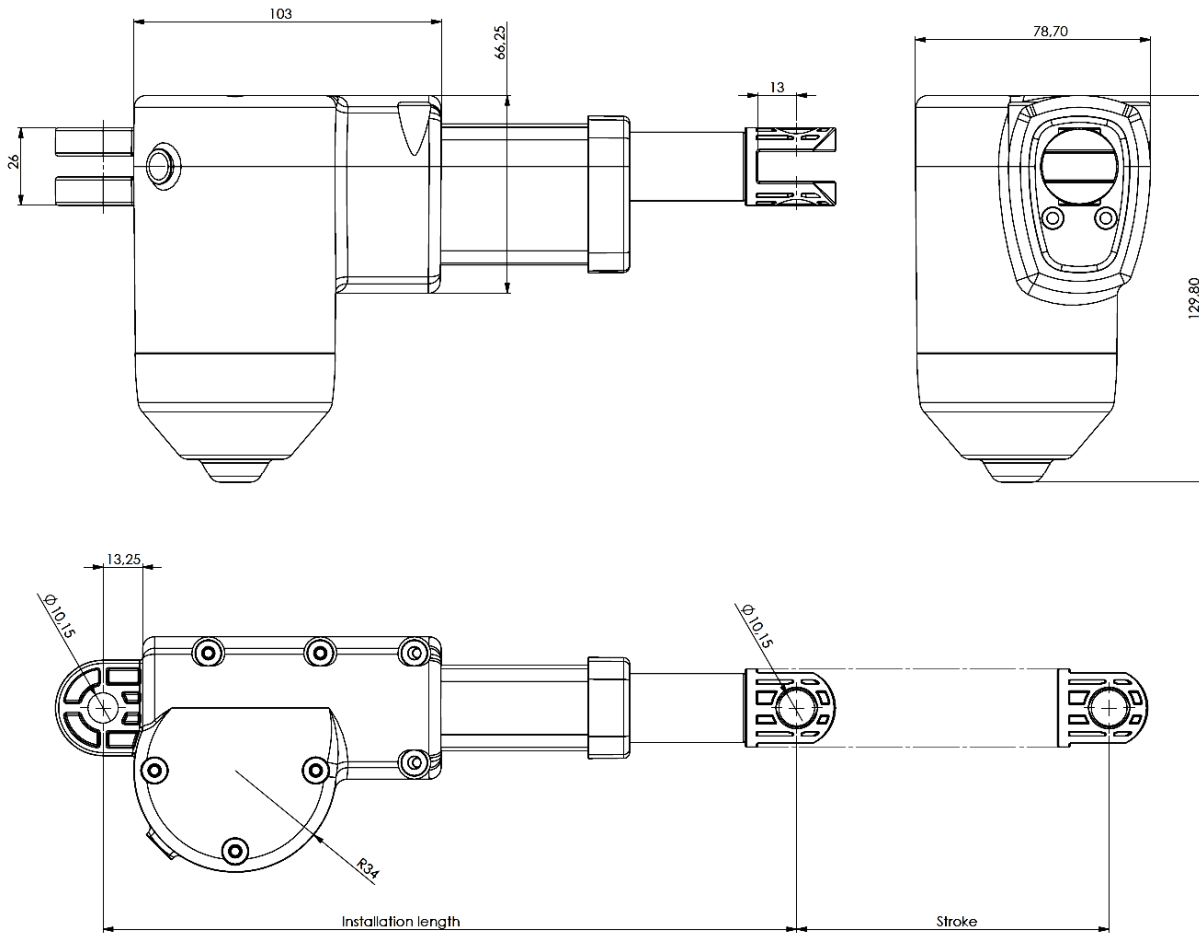
ilcon Actuator Corp.

Linear Actuator Concepts
11511 James Street
Holland, MI 49424
USA

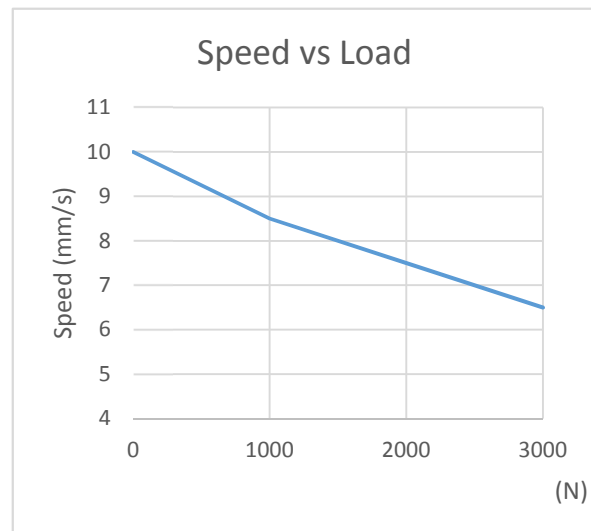
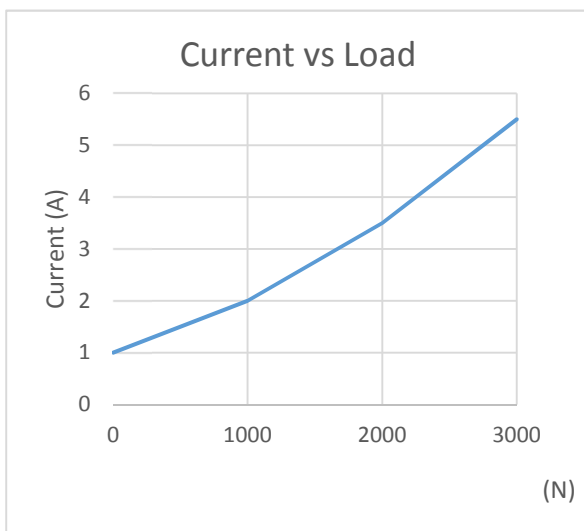
Phone (616) 796-3235
www.ilcon.com
info@ilcon.com

For more detailed data sheets, please contact our Sales Department. We would be pleased to provide a documentation according to your product specifications. Mistakes and printing errors excepted. If you have any questions, please do not hesitate to contact us.
Dated: 06/2017

Dimensional drawing



Performance



Order key

| | | | | | |
|-----|-----|------|------|-----|-----|
| ① | ② | ③ | ④ | ⑤ | ⑥ |
| XX- | XX | XX | XX | XX | X |
| IZ- | GR- | 153- | 400- | 24- | A - |

(Example is preferred type)

| | | |
|---|------------------------------|---|
| ① | Type of drive | IZ = ilcoDrive IZ |
| ② | Color of housing | GR = grey RAL 7035 SW = black RAL 9005 |
| ③ | Installation dimension in mm | min. 153mm (+/- 2mm) |
| ④ | Stroke in mm | max. 400mm |
| ⑤ | Motor Voltage | 18/24 |
| ⑥ | Push/pull | A = push-pull B = only push |

ilcon GmbH

Linear Actuator Concepts
Hertzstr. 1-3
27318 Hoya
Germany

Phone +49 4251 816610-10
www.ilcon.com
info@ilcon.com

ilcon Actuator Corp.

Linear Actuator Concepts
11511 James Street
Holland, MI 49424
USA

Phone (616) 796-3235
www.ilcon.com
info@ilcon.com

For more detailed data sheets, please contact our Sales Department. We would be pleased to provide a documentation according to your product specifications. Mistakes and printing errors excepted. If you have any questions, please do not hesitate to contact us.
Dated: 06/2017