

SMPS

# ilcoPower PS2

## Fields of application

Worldwide usable power supply with battery backup and low stand-by consumption.

**ilcon**  
LINEAR ACTUATOR CONCEPTS



## Advantages

- Switching power supply with wide range input
- Output load up to 5,5 A
- Input voltage 100-240 V, 50 Hz/60 Hz
- Output voltage 29 V
- Colour: RAL9005 black

## Product details

Parameter	Comments	Min	Typical	Max	Unit
Supply voltage		100		240	V
Supply frequency		45		65	Hz
Standby power consumption			Level VI		
Type of protection			II		
Color:	RAL9005 Black		black		
Duty cycle	Max 2 minutes continuous operation followed by 18 min. stop		10		%
Storage temperature	non-condensing	0		+40	° C
Ambient temperature	non-condensing	+10		+40	° C
Housing material					
Approvals			CE, UL, CUL		

### ilcon GmbH

Linear Actuator Concepts  
Hertzstr. 1-3  
27318 Hoya  
Germany

Phone +49 4251 816610-10  
www.ilcon.com  
info@ilcon.com

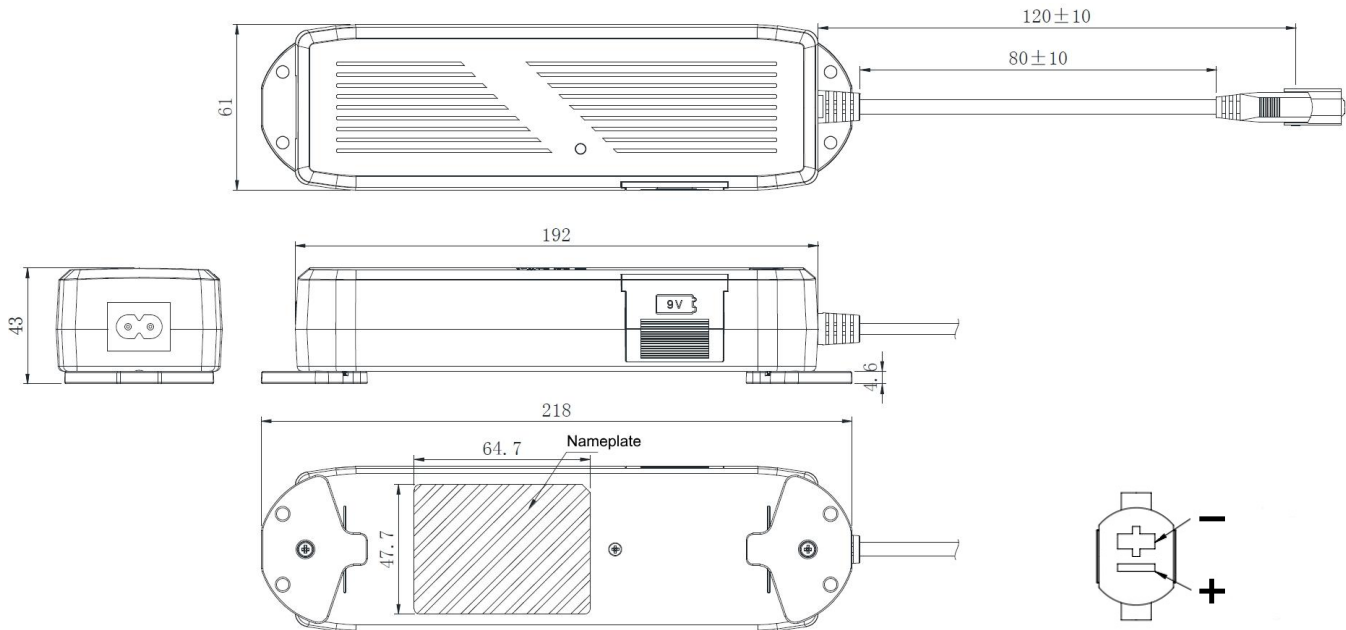
### ilcon Actuator Corp.

Linear Actuator Concepts  
11511 James Street  
Holland, MI 49424  
USA

Phone (616) 796-3235  
www.ilcon.com  
info@ilcon.com

For more detailed data sheets, please contact our Sales Department. We would be pleased to provide a documentation according to your product specifications. Mistakes and printing errors excepted. If you have any questions, please do not hesitate to contact us.  
Dated: 13/10/2017

## Dimensions



## Name Plate

**AC/DC ADAPTER** **ilcon** **Class 2 Power Unit**  
 Model No.: ZB-H290020-B LINEAR ACTUATOR CONCEPTS  
 Item No.: 409113

Input: 100-240V~, 50/60Hz, 1.6A  
 Output: 29V = 2A

Date Code: MM, DD, YYYY  
 Efficiency Level: (VI)

**CAUTION**  
 Risk of electric shock  
 Dry location use only  
 See instruction manual for use in countries other than the U.S.A

This Class B digital apparatus complies with Canadian ICES-003  
 This device complies with part 15 of the FCC rules

See the instruction manual for proper selection of the power supply cord

Made in China

Order key 409113

**ilcon GmbH**  
 Linear Actuator Concepts  
 Hertzstr. 1-3  
 27318 Hoya  
 Germany

Phone +49 4251 816610-10  
 www.ilcon.com  
 info@ilcon.com

**ilcon Actuator Corp.**  
 Linear Actuator Concepts  
 11511 James Street  
 Holland, MI 49424  
 USA

Phone (616) 796-3235  
 www.ilcon.com  
 info@ilcon.com

For more detailed data sheets, please contact our Sales Department. We would be pleased to provide a documentation according to your product specifications. Mistakes and printing errors excepted. If you have any questions, please do not hesitate to contact us.  
 Dated: 13/10/2017