

SMPS

ilcoPower PS1B

Fields of application

Power supply with 3Pin AC-Plug with low stand-by consumption.

ilcon
LINEAR ACTUATOR CONCEPTS



Advantages

- Switching power supply with wide range input
- Output load up to 5,5 A
- Input voltage 100-240 V, 50 Hz/60 Hz
- Output voltage 29 V
- Colour: RAL9005 black

Product details

Parameter	Comments	Min	Typical	Max	Unit
Supply voltage		100		240	V
Supply frequency		45		65	Hz
Standby power consumption			Level VI		
Type of protection			II		
Color:	RAL9005 Black		black		
Duty cycle	Max 2 minutes continuous operation followed by 18 min. stop		10		%
Storage temperature	non-condensing	0		+40	° C
Ambient temperature	non-condensing	+10		+40	° C
Housing material					
Approvals			CE, UL, CUL		

ilcon GmbH

Linear Actuator Concepts
Hertzstr. 1-3
27318 Hoya
Germany

Phone +49 4251 816610-10
www.ilcon.com
info@ilcon.com

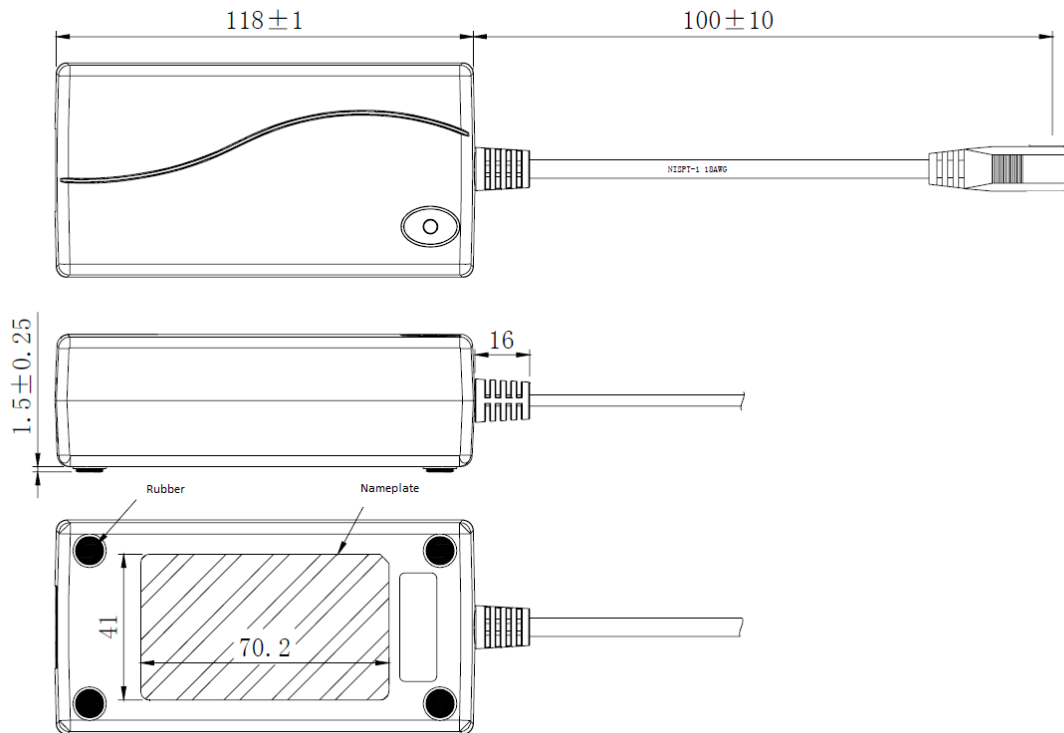
ilcon Actuator Corp.

Linear Actuator Concepts
11511 James Street
Holland, MI 49424
USA

Phone (616) 796-3235
www.ilcon.com
info@ilcon.com

For more detailed data sheets, please contact our Sales Department. We would be pleased to provide a documentation according to your product specifications. Mistakes and printing errors excepted. If you have any questions, please do not hesitate to contact us.
Dated: 12/10./2017

Dimension drawing



Order key 409031