

Controls

ilcoControl F

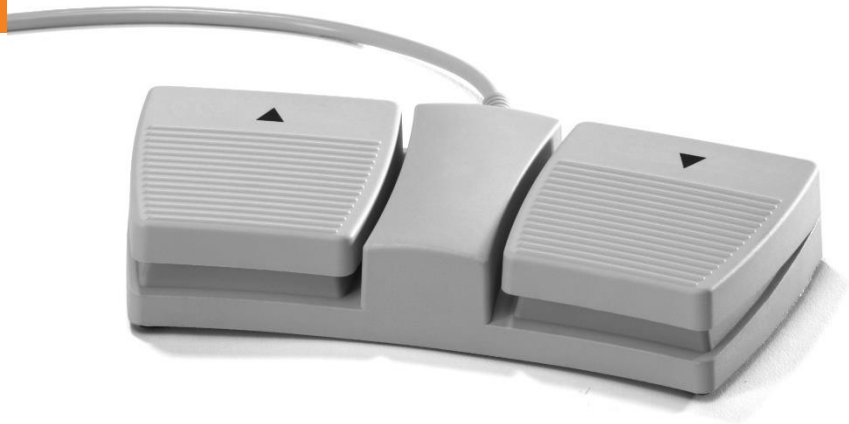
Fields of application

Foot switch for wellness and therapy applications.

ilcon
LINEAR ACTUATOR CONCEPTS

Advantages

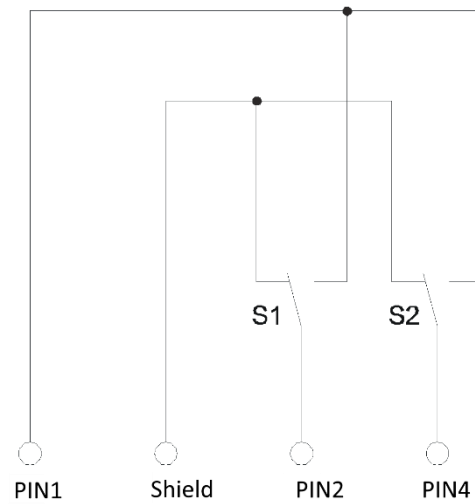
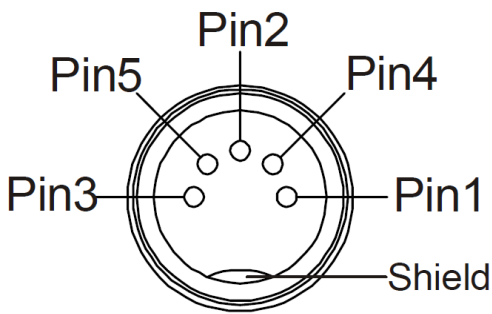
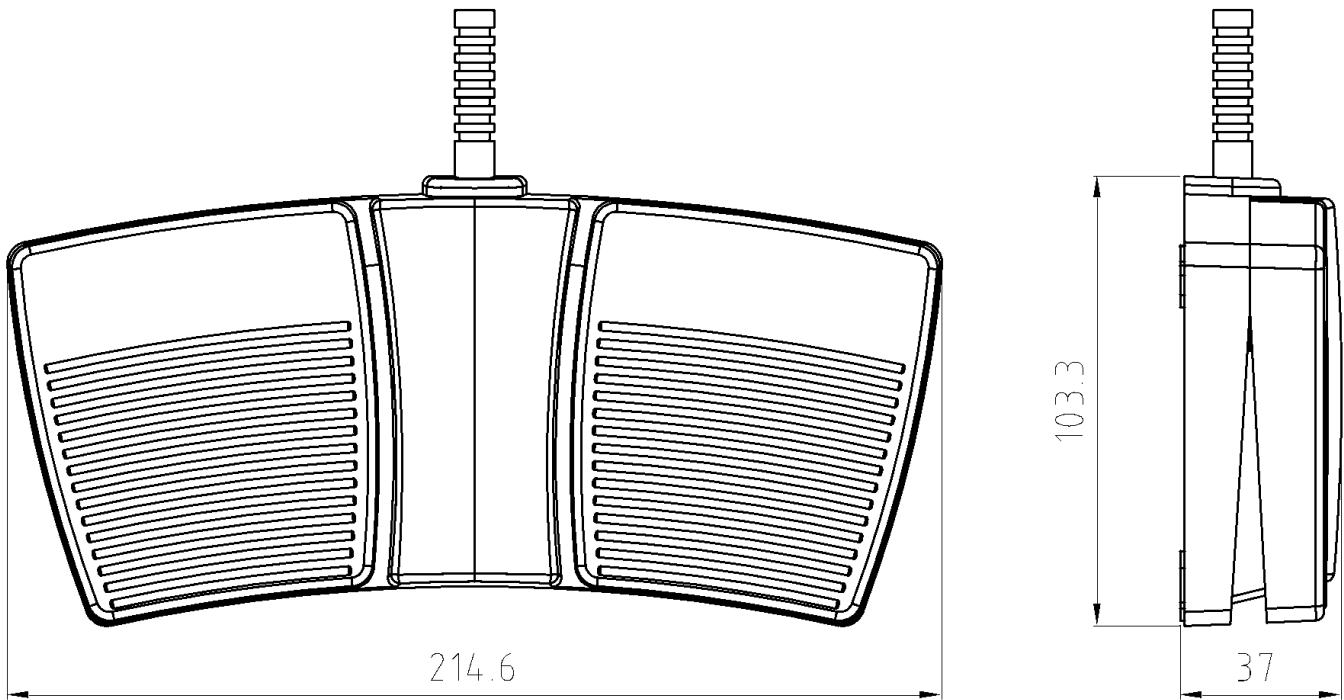
- For single actuators ilcoDrive
- Protection class: IP 20
- Solid housing
- Ergonomic operation
- Colour: light grey
- Optional Protection class IP x4
- Optional Customisation (colour, foil, logo etc.)



Product details

| Parameter | Comment | Min | Typical | Max | Unit |
|---------------------|----------------|-----|-------------------|-----|------|
| Supply voltage | | | 29V | 36 | V |
| Protection IP | | | IP20/IP44 | | |
| Type of protection | | | III | | |
| Color | | | RA7035 light grey | | |
| Storage temperature | non-condensing | 0 | | +40 | ° C |
| Ambient temperature | non-condensing | +10 | | +40 | ° C |
| Approvals | | | CE,UL | | |

Dimension drawing



Order key

XX- XX- XXXX-

FC- GR- IPX4 Example

Protection type: IPX0
IPX4

Housing colour: GR = grey RAL 7035

Product typ: FC= Foot-control