

Cable

ilcoCable C7

Fields of application

Worldwide usable power supply with battery backup and low stand-by consumption.



Advantages

- Switching power supply cable
- Input voltage 100-240 V, 50 Hz/60 Hz
- Colour: RAL9005 black
- Length: 1200mm



Product details

Parameter	Comments	Min	Typical	Max	Unit
Supply voltage		100		240	V
Supply frequency		45		65	Hz
Length			1200		mm
Color:	RAL9005 Black		black		
Storage temperature	non-condensing	0		+40	° C
Ambient temperature	non-condensing	+10		+40	° C
Housing material					
Approvals			CE, UL, CUL		

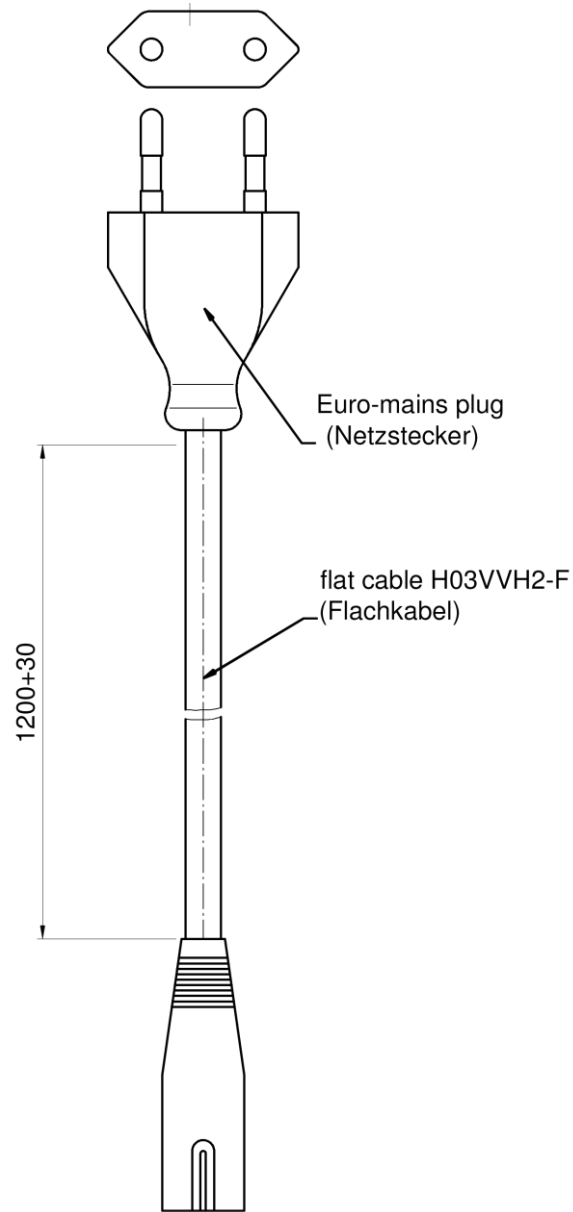
ilcon GmbH
Linear Actuator Concepts
Hertzstr. 1-3
27318 Hoya
Germany
Phone +49 4251 816610-10
www.ilcon.com
info@ilcon.com

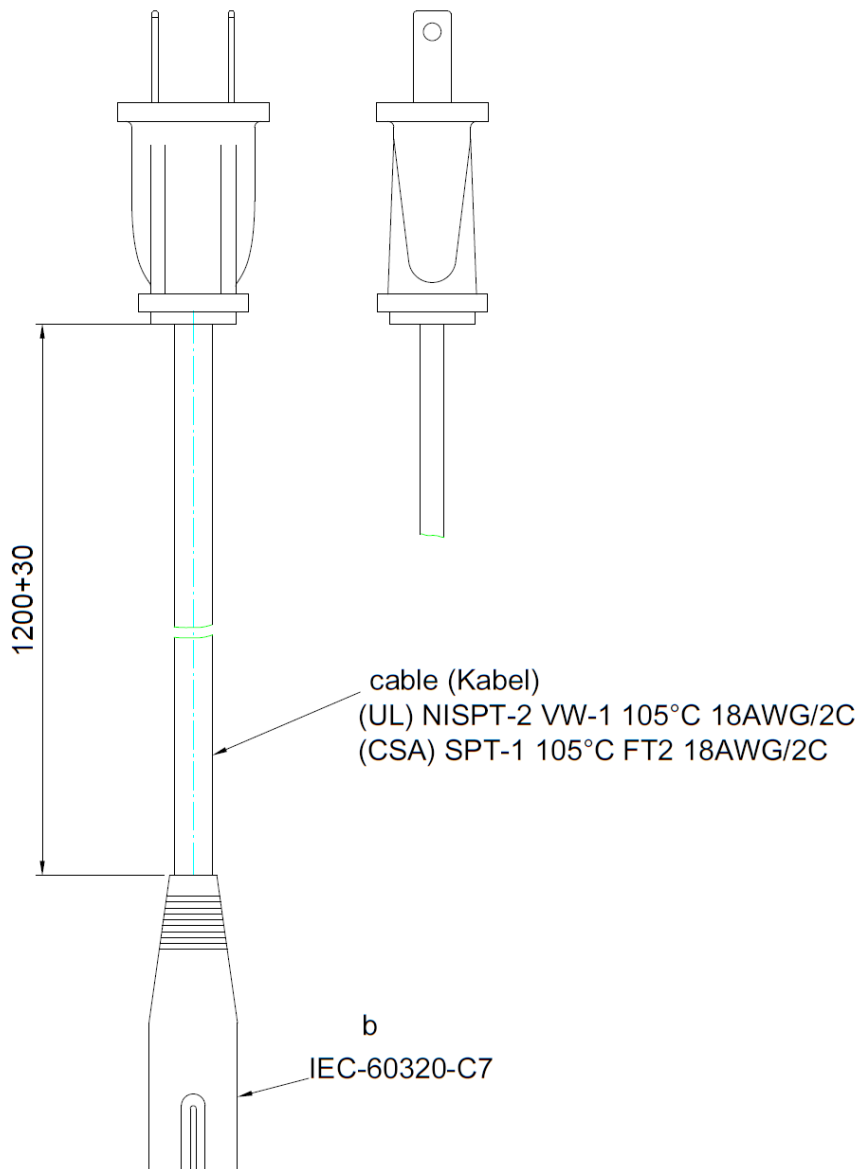
ilcon Actuator Corp.
Linear Actuator Concepts
11511 James Street
Holland, MI 49424
USA

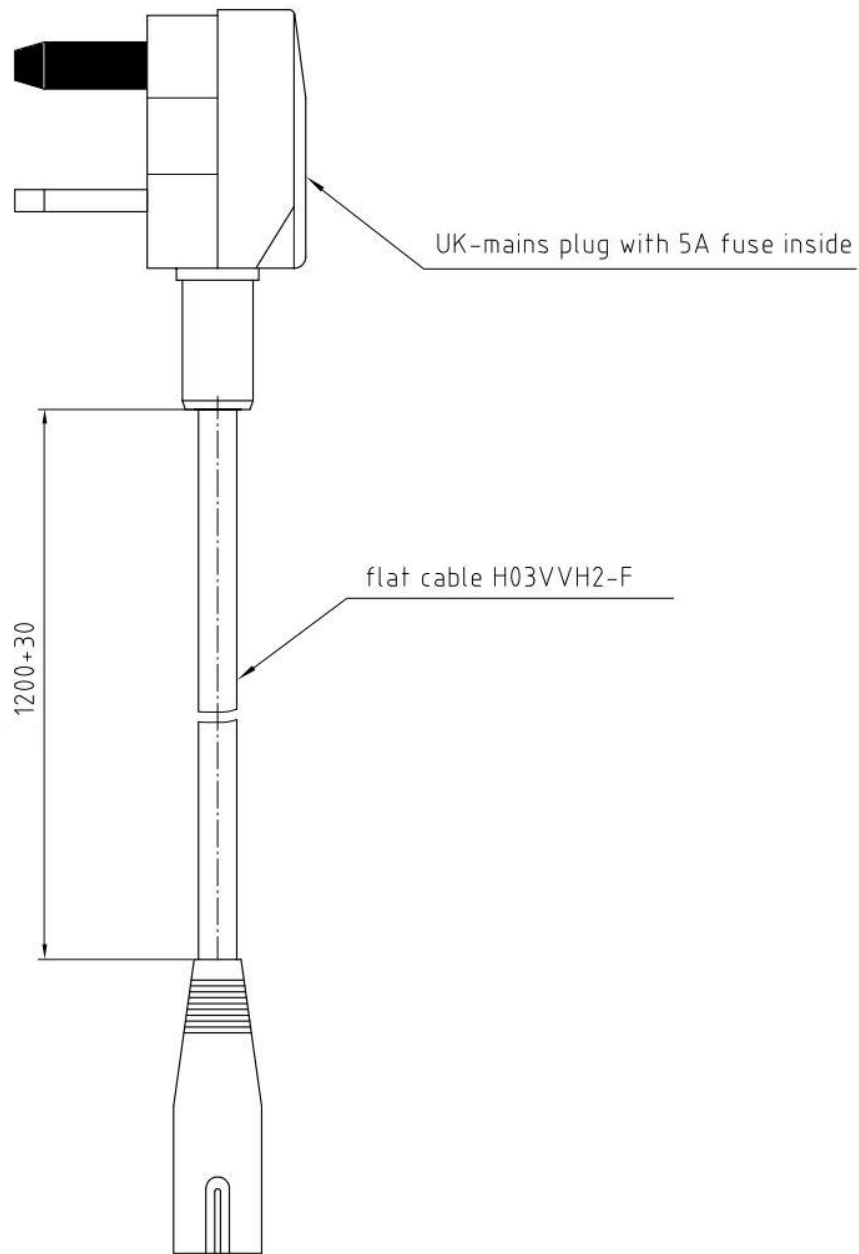
Phone (616) 796-3235
www.ilcon.com
info@ilcon.com

For more detailed data sheets, please contact our Sales Department. We would be pleased to provide a documentation according to your product specifications. Mistakes and printing errors excepted. If you have any questions, please do not hesitate to contact us.
Dated: 06/2017

Dimension drawing







Order key
ilcoPower Cable xx

UK	Great Britain version	409164
EU	European version	402408
US	USA and Japanese version	406221

ilcon GmbH
Linear Actuator Concepts
 Hertzstr. 1-3
 27318 Hoya
 Germany

Phone +49 4251 816610-10
 www.ilcon.com
 info@ilcon.com

ilcon Actuator Corp.
Linear Actuator Concepts
 11511 James Street
 Holland, MI 49424
 USA

Phone (616) 796-3235
 www.ilcon.com
 info@ilcon.com

For more detailed data sheets, please contact our Sales Department. We would be pleased to provide a documentation according to your product specifications. Mistakes and printing errors excepted. If you have any questions, please do not hesitate to contact us.
 Dated: 06/2017